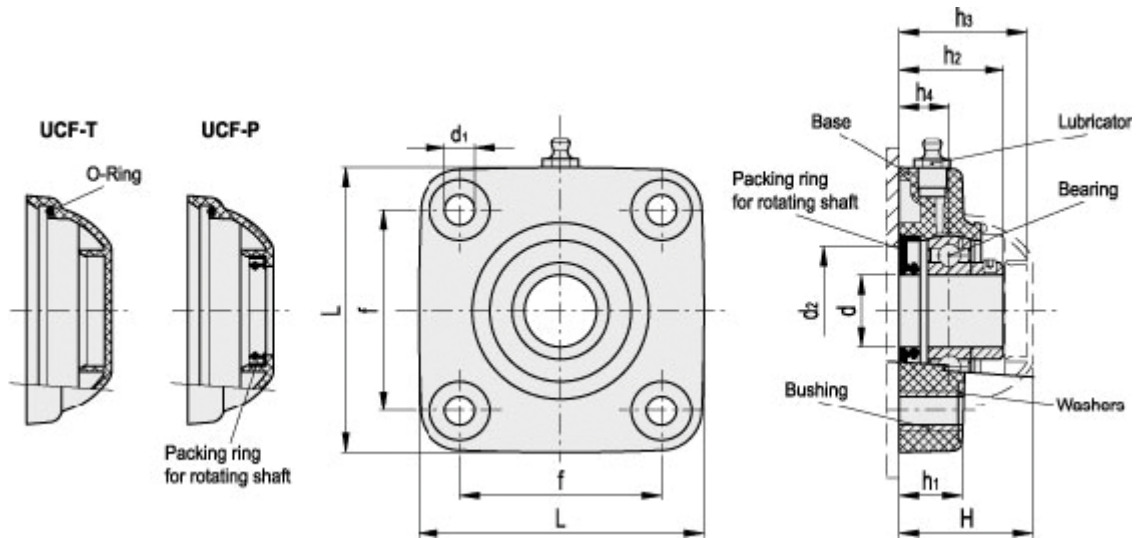


Article number: 2310419551

Description: E+G flanged self-aligning brackets UCF.205-A-25-T

## Measures



Bearing dynamic load in N	= 14000	H = 49
Bearing static load in N	= 7000	h1 = 22
Bracket load in N	= 17000	h2 = 36
d	= 6	h3 = 47
d1	= 10.5	h4 = 17
d2max	= 50	L = 99
d2min	= 45	
f	= 70	